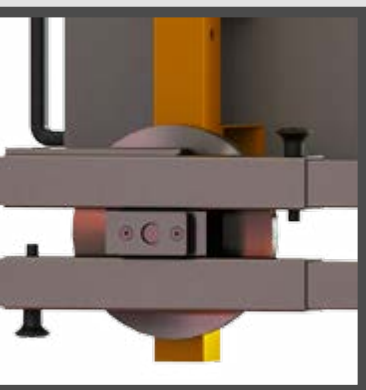
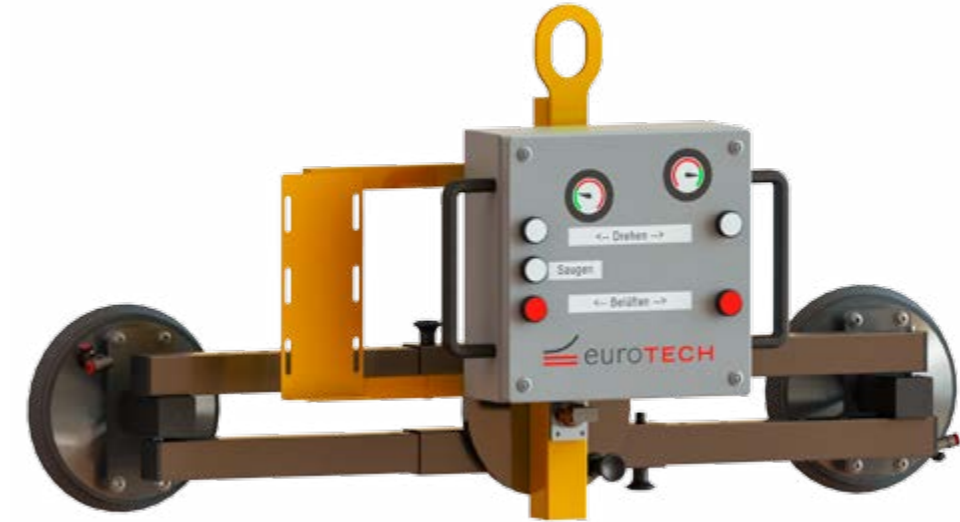
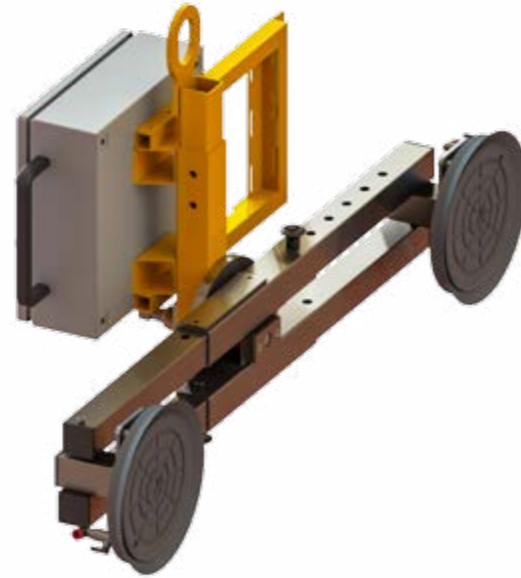


# eT-Hover-modesty <sup>(EN)</sup>



**General information**

- suitable for transporting vacuum-sealed large-surface loads such as glass panes, sheet metal and plastic/wood panels
- max. carrying capacity of 250 kg (eT-Hover-modesty-VD) or 600 kg (eT-Hover-modesty-SD)
- in accordance with EN 13155
- rotation and/or pivoting possible
- manual or pneumatic rotation
- external or integrated vacuum generation
- telescopic lifting beams
- operation complete with compressed air with
  - eT-Hover-modesty-VD-360
  - eT-Hover-modesty-VD-90
- vacuum monitoring with a vacuum gauge featuring a red/green area
- pressure monitoring with a manometer and warning signal emitter



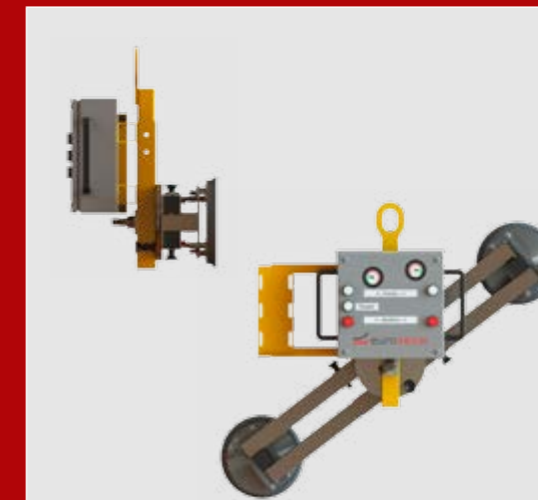
**Technical data / Order data**

eT-Hover-modesty-SD-360 HG SD 600 04 400 RL	
Carrying capacity (kg)	600
Load dimensions up to (mm)	2400x1500
Rotation range	endlessly in 360° (locking every 45°)
Pivoting range	90°
Suction plates	4x BLSP 400 RL
Vacuum generation	external
Dimensions LxWxH (mm)	1800x570x1620
Weight (kg)	40



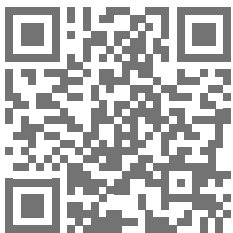
**Technical data / Order data**

	eT-Hover-modesty-VD-360 HG VD 150 02 240 L	eT-Hover-modesty-VD-90 HG VD 150 02 240 L
Carrying capacity (kg)	150	150
Load dimensions up to (mm)	2000x1500	2000x1500
Rotation range	endlessly in 360° (locking every 90°)	90°
Pivoting range	-	-
Suction plates	2x BLSP 240 L	2x BLSP 240 L
Vacuum generation	Ejector	Ejector
Dimensions LxWxH (mm)	1500x400x488	1500x400x1230
Weight (kg)	27	35



## Lifting device series eT-Hover-modesty

If you have any questions or require a concrete quotation, please contact us by *telephone*, *fax* or *e-mail*.



### EUROTECH Vertriebs GmbH

Dammstr. 1 Telephone: +49 7433 90468-0  
72351 Geislingen Fax: +49 7433 90468-13  
GERMANY E-Mail: [info@euro-tech-vacuum.de](mailto:info@euro-tech-vacuum.de)  
Internet: [www.euro-tech-vacuum.com](http://www.euro-tech-vacuum.com)

Art.-Nr.: FLY.09.2017.V1.en