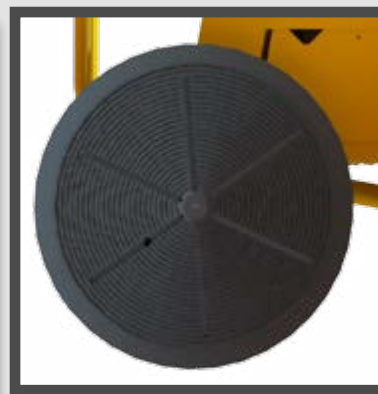


euroTECH

VACUUM TECHNOLOGIES



eT-Hover-univac (EN)

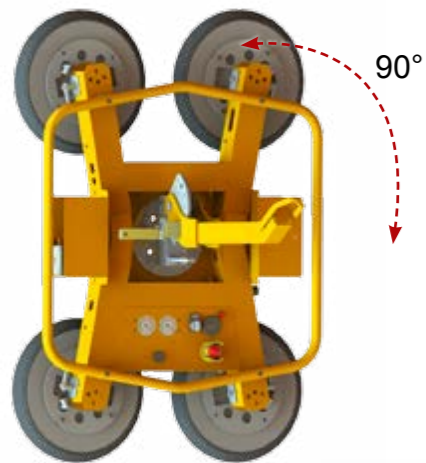


General information

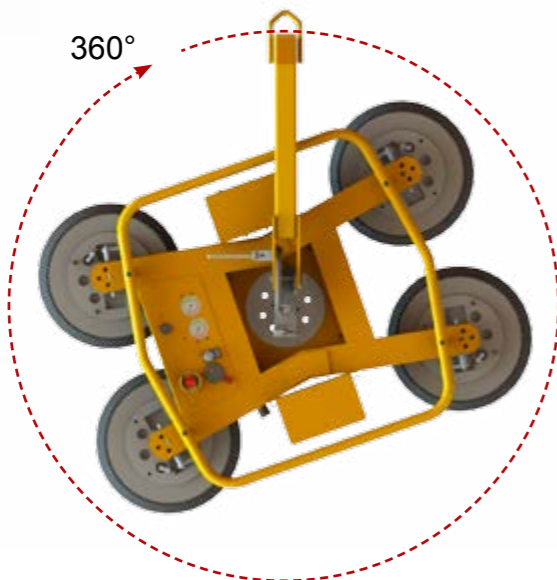


- compact, dual-circuit lifting device according to DIN EN 13155
- suitable for use on building areas
- 4 suction plates of type BLSP 400 RL
- 360° manually rotatable + 90° pivoting (manually or electrically)
- additional blow-off function for quick release of the load
- alternative suction plates available
- modularly expandable to 8 suction plates through extension arms
- max. carrying capacity: 500 kg with addition of 4 extension arms and 4 additional suction plates: 700 kg
- optional wireless remote control

Features:



can be pivoted manually by 90° (electrical pivoting also possible)



can be rotated by 360° endlessly



modularly, flexibly expandable to max. 8 suction plates, adjustable to various load dimensions



Technical data / Order data

Type	Suction plates	Vacuum generation	Weight (kg)	Carrying capacity* (kg)		Art.-No.
				vertical	horizontal	
eT-Hover-univac	4x BLSP 400 RL	Diaphragm pump; 2,1 m³/h, 12 V DC	60	360,00	500,00	F001947

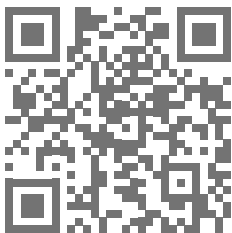
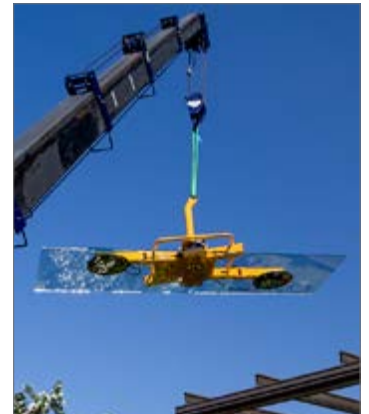
Discription	Article number
Cable remote control for lifting devices	B006805
Wireless remote control for lifting devices	B006035
Extension arm for eT-Hover-univac	B008894
Additional suction plates with mounting bracket on the right	B008863
Additional suction plates with mounting bracket on the left	B008864
Extension (for lifting/sliding elements)	B008852
Protective covers (in synthetic leather, only for transport)	M010402
Transport box for lifting device	B000004
Transport box for 4 additional suction plates	B000005
Carrier arm with an electric lifting cylinder for eT-Hover-univac	B007128
Transport rack for eT-Hover-univac lifting device	B010081



eT-Hover-univac lifting device

The compact eT-Hover-univac lifting device is modularly extendable. Manual rotation and pivoting are also counted among its capabilities. On request, the device is also available as a electrically pivotable variant. The vacuum lifting device by euroTECH is also designed in accordance with the EN 13155 standard as an attachment for crane and lifting equipment. It is suitable for lifting and moving large-surface loads made of glass, wood, coated chipboard or particle board, as well as other materials like stone, metal or plastic.

If you have any questions or require a specific quotation, please contact us by *telephone*, *fax* or *e-mail*.



EUROTECH Vertriebs GmbH

Dammstr. 1 Telephone: +49 7433 90468-0
72351 Geislingen Fax: +49 7433 90468-13
GERMANY E-Mail: info@euro-tech-vacuum.de
Internet: www.euro-tech-vacuum.com

Art.-Nr.: FLY.06.2017.V1.en