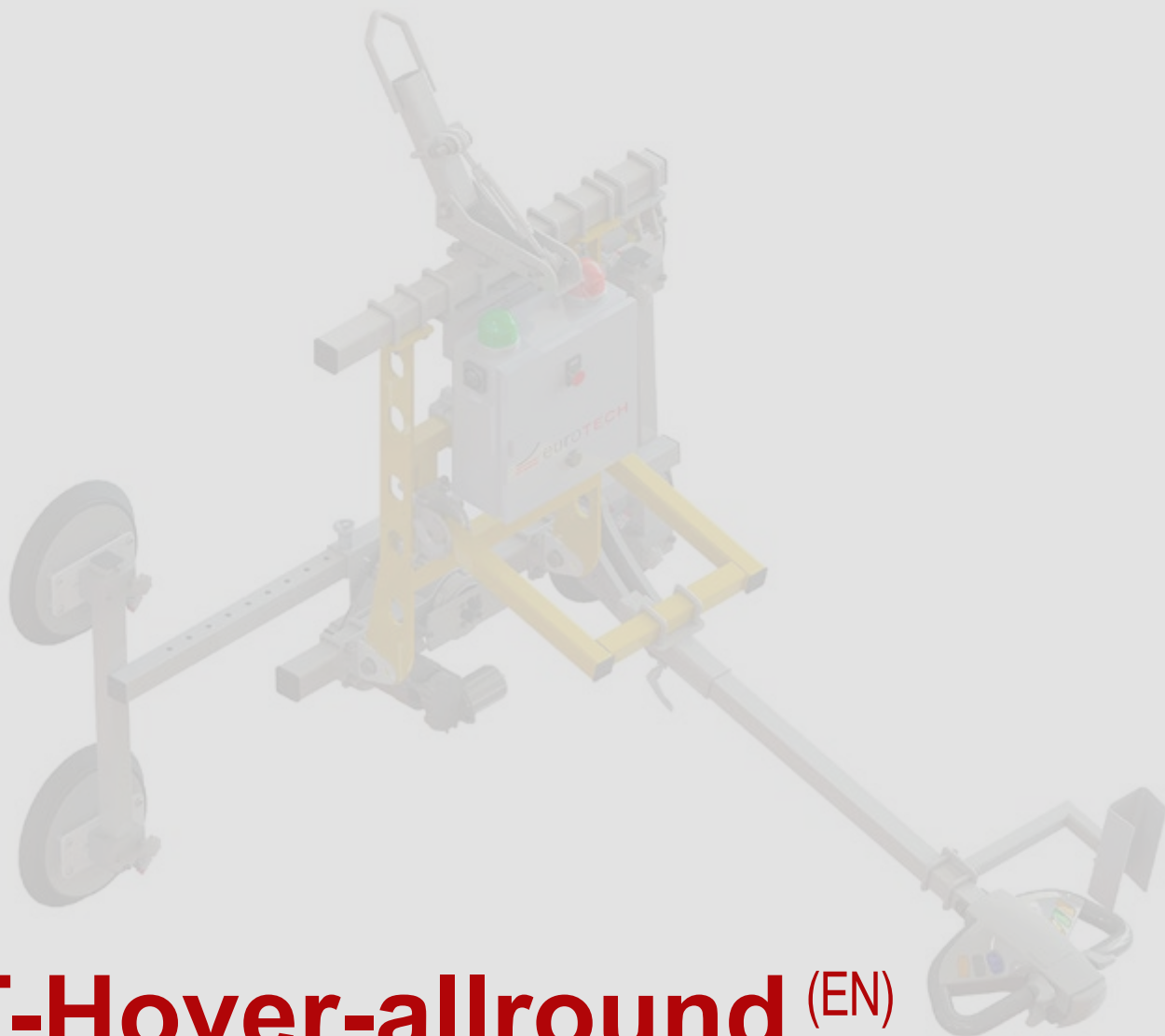
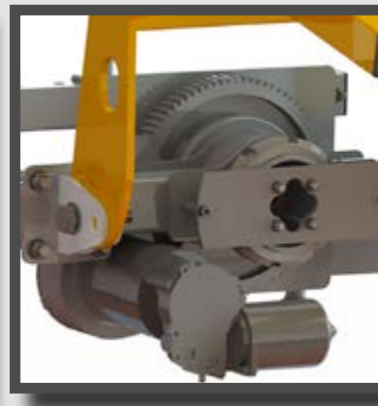


euroTECH

VACUUM TECHNOLOGIES



eT-Hover-allround (EN)

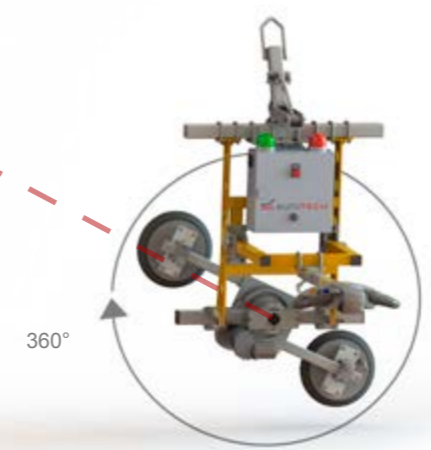




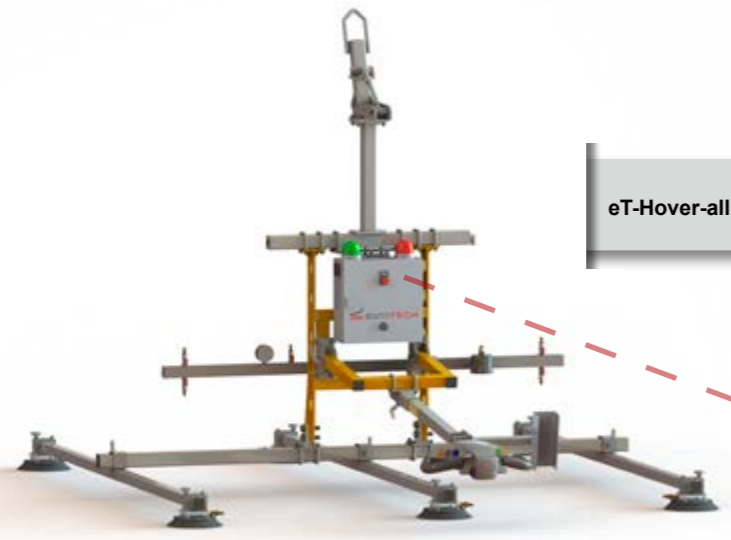
eT-Hover-allround **HD**



Rotating device



eT-Hover-allround **VD**



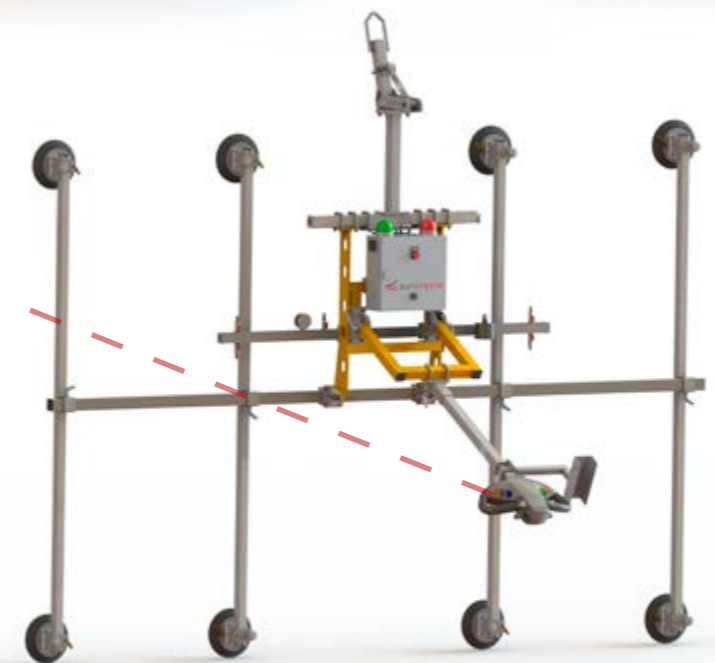
eT-Header-allround **HF**



Vacuum pump



Operating handle



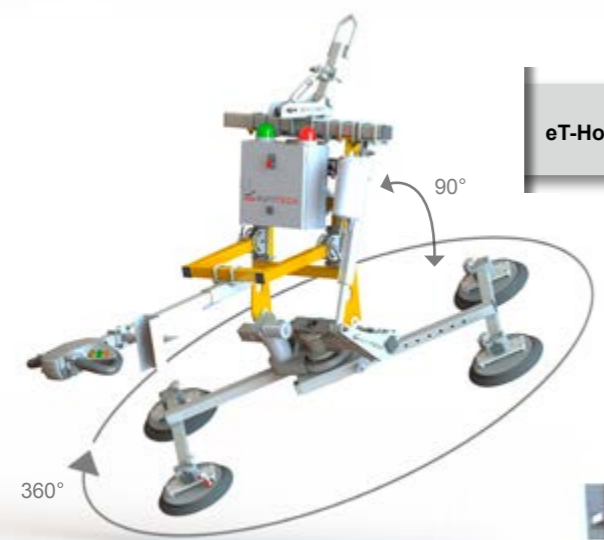
eT-Header-allround **VF**



Warning device



Optional with SKV*



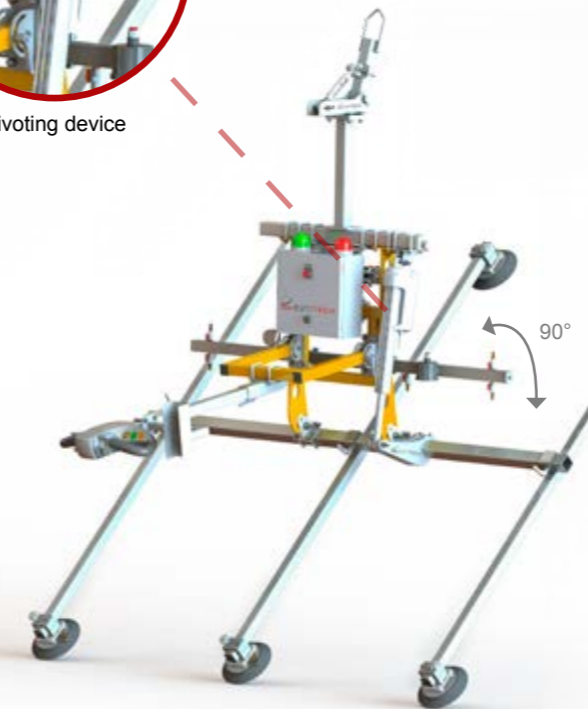
eT-Header-allround **SD**



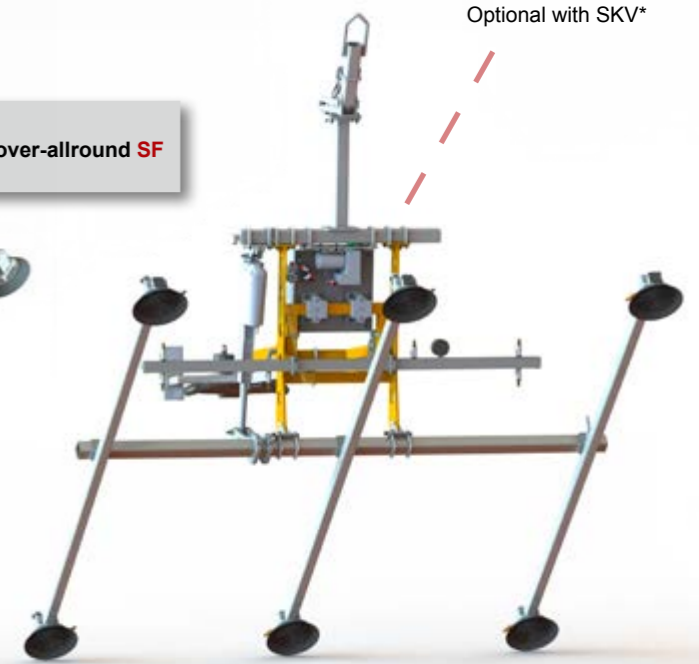
Suction plate



Pivoting device



eT-Header-allround **SF**



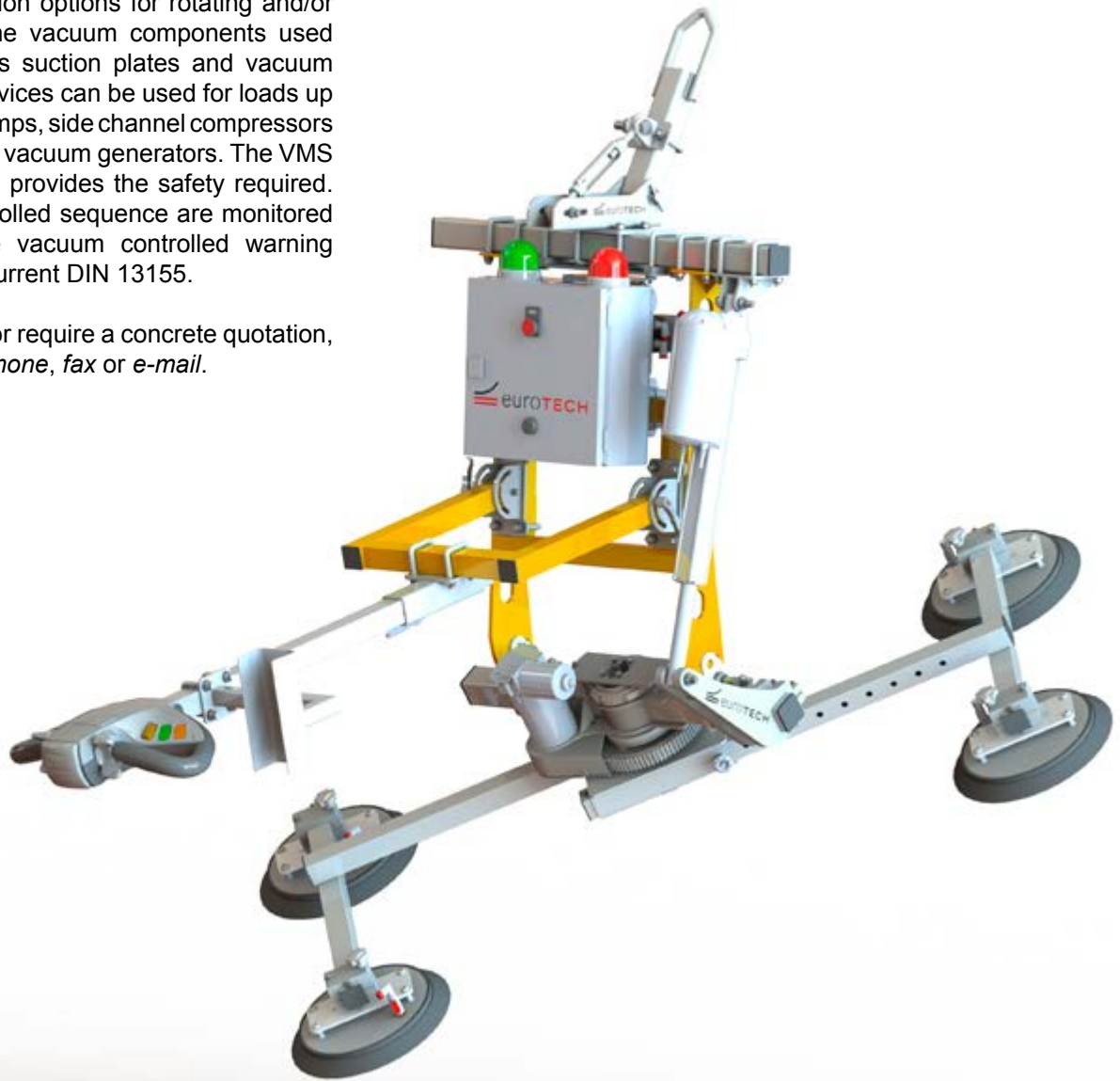
LEGEND HD = horizontal rotate HF = fixed horizontal SD = pivot + rotate VD = vertical rotate VF = fixed vertical SF = fixed pivoting

*SKV = Side Channel Blower

Lifting device series eT-Hover-allround

With the **eT-Hover-allround** range of lifting devices **EUROTECH** has brought a real all-rounder to the market. Based on the basic horizontal or vertical handling devices, there are expansion options for rotating and/or pivoting. Depending on the vacuum components used in the application, such as suction plates and vacuum generators, these lifting devices can be used for loads up to max. 500 kg. Vacuum pumps, side channel compressors or ejectors are available as vacuum generators. The VMS developed by **EUROTECH** provides the safety required. All processes for the controlled sequence are monitored and controlled here. The vacuum controlled warning device complies with the current DIN 13155.

If you have any questions or require a concrete quotation, please contact us by *telephone, fax or e-mail*.



EUROTECH Vertriebs GmbH

Dammstr. 1 Telephone: +49 7433 90468-0
72351 Geislingen Fax: +49 7433 90468-13
GERMANY E-Mail: info@euro-tech-vacuum.de
Internet: www.euro-tech-vacuum.com