



Quick change clamping system for transport rollers

euroTECH Vertriebs GmbH designed the quick change clamping system for transport rollers. Finally there is an innovative solution which brings an enormous time-saving. Worn out or cut transport rollers can be changed by this system in a contemporary and cost-effective way. The demounting of the roller conveyer as well as its installation and its adjustment do not apply.

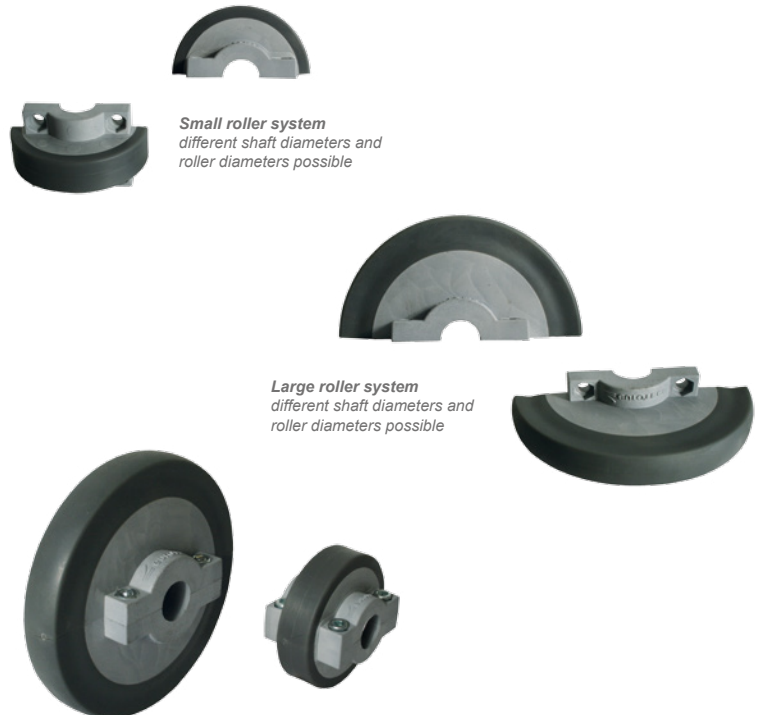


Pit stop in only 97 seconds - world class!

Our system is exactly what it promises. The transport roller can be changed in only 97 seconds – a record!

Roller diameter	Shaft diameter	Part number
70 mm	min. 20 mm	NKR.070.20.521.00
	max. 30 mm	NKR.070.30.521.00
75 mm	min. 20 mm	NKR.075.20.521.00
	max. 30 mm	NKR.075.30.521.00
85 mm	min. 20 mm	NKR.085.20.521.00
	max. 30 mm	NKR.085.30.521.00
95 mm	min. 20 mm	NKR.095.20.521.00
	max. 30 mm	NKR.095.30.521.00
100 mm	min. 20 mm	NKR.100.20.521.00
	max. 30 mm	NKR.100.30.521.00
110 mm	min. 20 mm	NKR.110.20.521.00
	max. 30 mm	NKR.110.30.521.00
125 mm	min. 20 mm	NKR.125.20.521.00
	max. 30 mm	NKR.125.30.521.00

Roller diameter is variable from min. 70 mm to 125 mm, the shaft diameter is variable from min. 20 mm to 30 mm. The color of all types is gray. The materials are Polypropylene (PP) and Thermoplastic elastomers (TPE).



*Small roller system
different shaft diameters and
roller diameters possible*

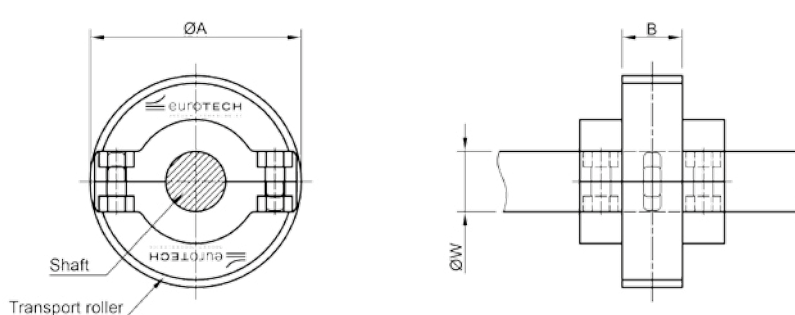
*Large roller system
different shaft diameters and
roller diameters possible*

*The NKR – roller system
The force transducer and transport roller are of one piece.
Combine two identical components and you get your transport
roller. Make sure that the guide pins are pushed as far as they
will go, select the desired position and tighten the force
transducer with the fastening screw.*

Advantages of the quick change clamping system for transport rollers

- 97 seconds changing time per roller
- No new adjustment of the shafts
- No new configuration of the device
- Resulting savings: idleness of the device is minimized, costs of spare and wear parts, etc.
- Variable roll size (outside diameter) the running performance can be influenced optimally
- Variable roll size (inside diameter) the rollers fit on almost any shaft of an installation

Please send us an offer for the modification or the equipment of our roller conveyor to the quick change clamping system made by euroTECH (Please fill in the template completely).

Manufacturer of the roller conveyer (product)			
Type		Material of the rollers	
Number of shafts		Number of rollers per shaft	
Dimensions of installed rollers:			
Please fill in your roller diameter (outside diameter)			
ØA			
Please fill in your roller width			
B			
Please fill in your shaft diameter (inside diameter)			
ØW			
Notes			
Contact address			
Company			
Street			
ZIP	Town		

Contact person	
Title	
Dept./Position	
First name	
Last name	
Note	

With this fax template you can order the desired offer directly. General terms and conditions of the company euroTECH Vertriebs GmbH apply. They can be found on the following URL: <http://www.euro-tech-vacuum.com>